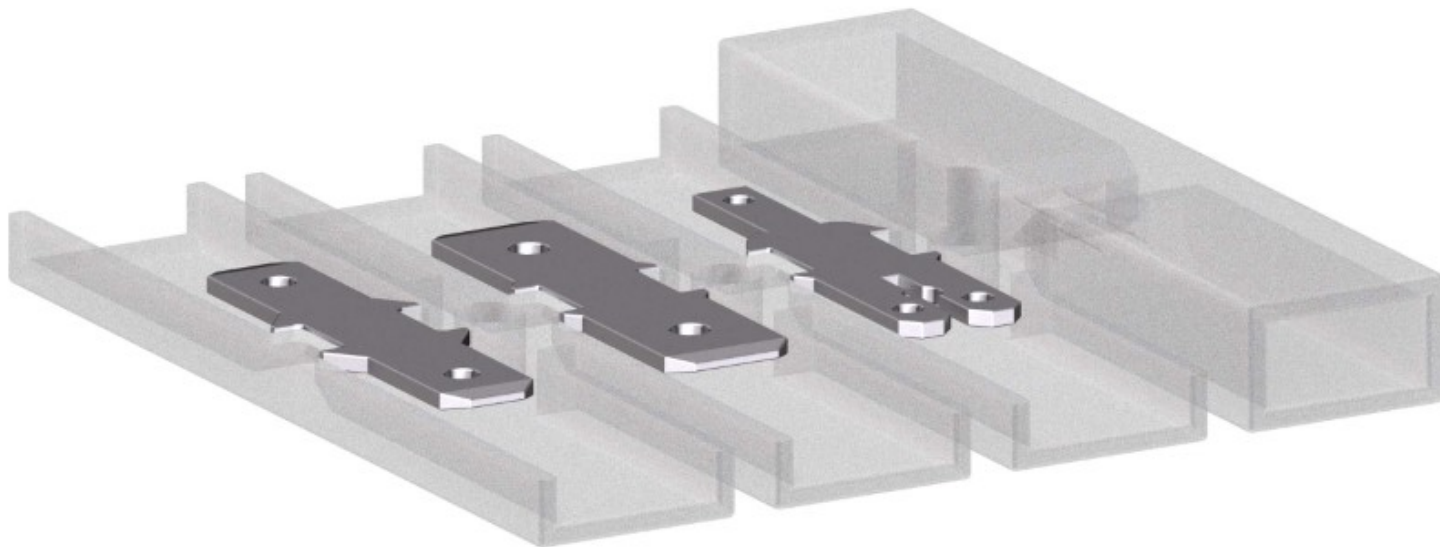


[Home](#) » 404-YBS

404-YBS

Insulated Tab Terminal Strip



DESCRIPTION

Tab connector 404-YBS in 12,1 mm pitch are is mainly used as connectors, lead distributors or as electrical interface in equipment and motor vehicles This special tab connector features tabs with two-sided push-on termination 2 x 2,8/6,3 and a 2,8 mm connection. The tabs are suitable for tab receptacles according to DIN 46 247. Pushed-on receptacles are fully covered by the wide housing insulation. This allows stacking the connectors without intermediate insulating layer. The connector is compliant with DIN 72 586-C50.

GENERAL INFORMATION

Pitch: 12.10 mm

No. of poles: 1 - 12

TECHNICAL DATA

Clamping Range:

solid / flexible / AWG

2.5 mm² / 14 AWG

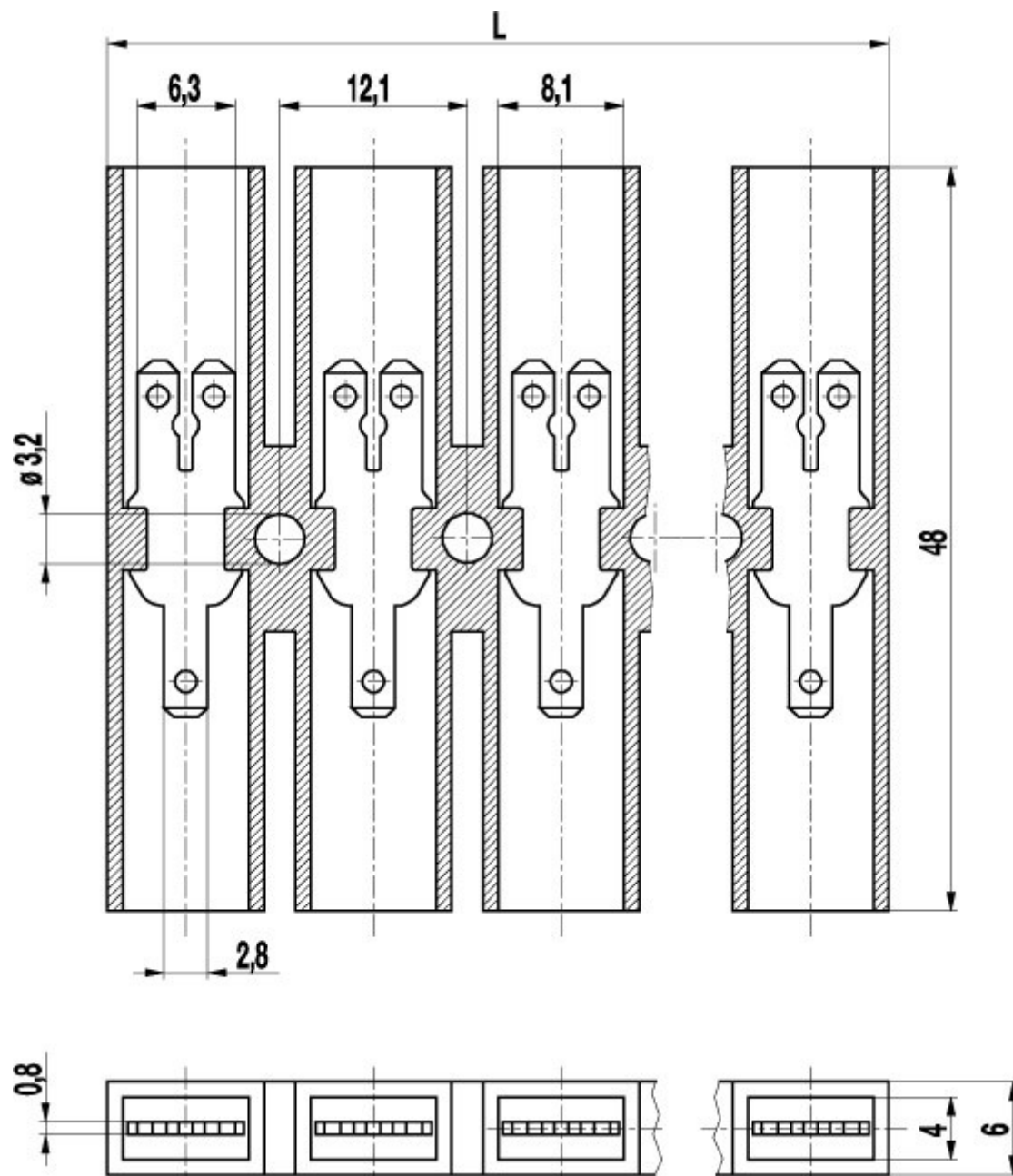
Rated current: 16 A. see DIN 46 249

Distributor Stock Check

Download PDF

How to Order

TECHNICAL DRAWINGS



MATERIALS

Moulding: PVC, transparent

Comparative tracking index: CTI 400

Temperature range: -10°C up to 70°C

Tab: Nickel plated brass

OPTIONS / ACCESSORIES

CN: Consecutive Numbering

SM: Special Marking (please provide sketch)

G05: Gold Plating (5 micro inches)

G30: Gold Plating (30 micro inches)

S30: Silver Plating (30 micro inches)



STANDARD CONFIGURATIONS

Poles	Items	Part #	Length L [mm]	Step	3D PDF
-------	-------	--------	---------------	------	--------

Did you find the information you were looking for ?

Click on a star to rate your experience.



No votes so far! Be the first to rate this post.

WECO ELECTRICAL CONNECTORS INC.

18050 Trans-Canada Highway
Kirkland, QC Canada H9J 4A1

Tel.: 1.514.694.9136
Fax.: 1.514.694.0956
Toll free.: 1.800.724.2928
info@wecoconnectors.com

QUICK LINKS

[Products](#)
[Company](#)
[News](#)
[Careers](#)
[Support](#)
[WECO Global](#)
[Regional Contacts](#)

SOLUTIONS

[HVAC](#)
[Electrical Power](#)
[Industrial](#)
[Factory Automation](#)
[Electronics & Communication](#)
[Fire & Security](#)
[Public Infrastructure](#)

Subscribe

Follow Us  

[Data Protection & Privacy](#) [Imprint](#)

