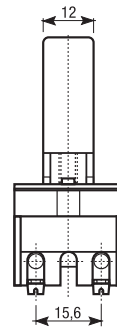
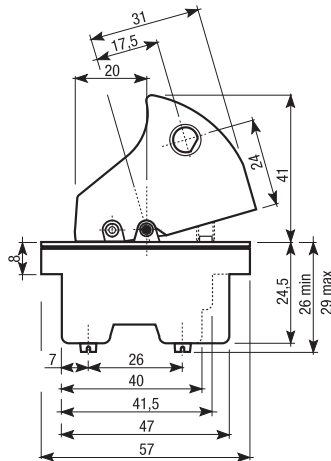
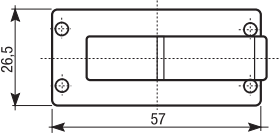


# 2 poles switches with lever

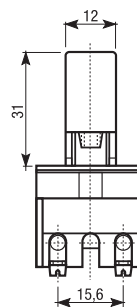
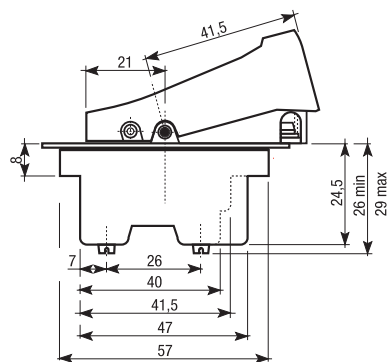
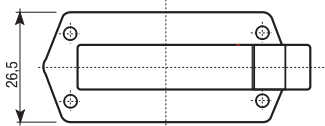
Part no.	Description	Pack
LLA423N0	2 pole switch with black unstable lever, without fixing holes, L=31 mm	10



Diagram



LLA424N0	2 pole switch with black unstable lever, without fixing holes, L=41,5 mm	10
LLA424N0A	2 pole switch with special lever	10



Diagram

